



Formica® Coolim™ Cubicle System



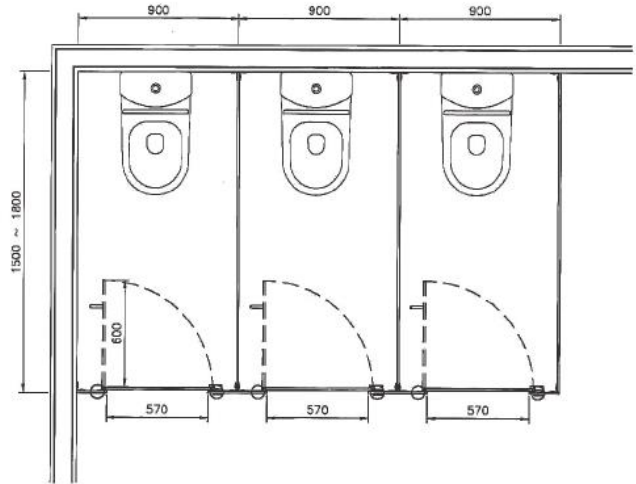
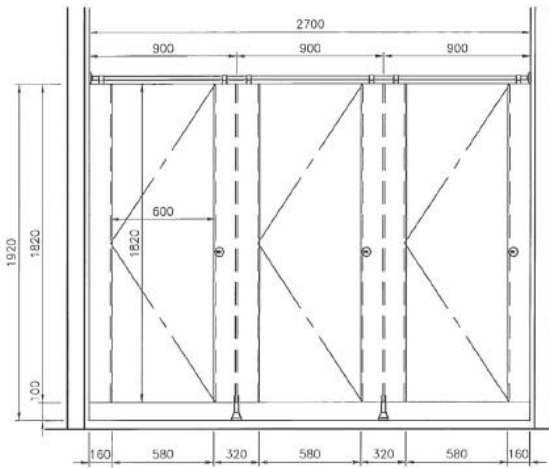
BS EN438

BS476
Part 6 & 7

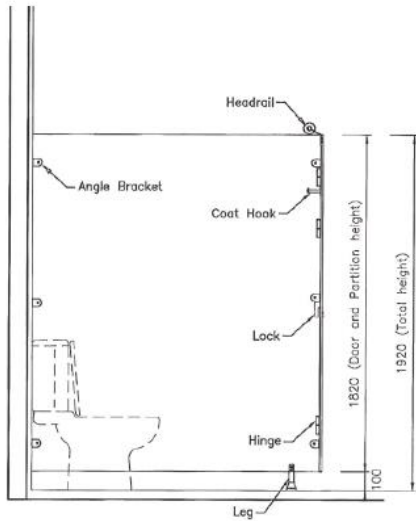


Job Reference

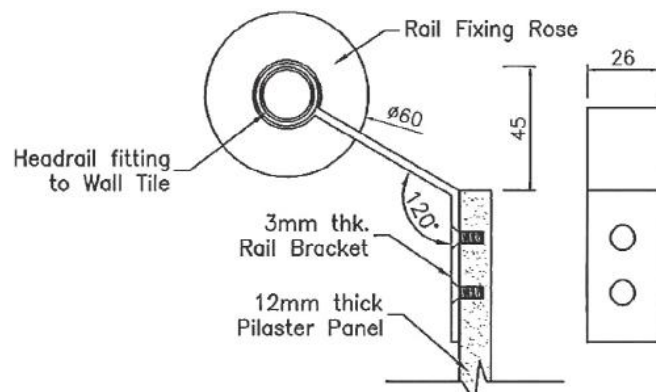
- MTR Academy at Hunghom Building
- Allied Kajima Building
- 9 Chong Yip Street
- St. Catherine International Kindergarten
- Butterfly Plaza
- Art Pavilion
- Fu Shin Shopping Centre
- Wong Tai Sin Shopping Centre
- Lung Hang Shopping Centre
- Lei Tung Commercial Complex
- Wah Ming Shopping Centre
- Kwong Fok Shopping Centre
- Lung Hang Shopping Centre
- Chung Fu North Shopping Centre
- Po Lam Shopping Centre
- Tin Yiu Shopping Centre
- Cheung Fat Plaza
- Kai Tin Plaza



Floor Plan



Side elevation



Headrail

Specification

Material:

Formica® Protec+™ Silver (Ag+) antimicrobial compact laminate, blackcore, decopaper on double sides in matte finish or naturelle (NT) finish 12mm thick.

International Standard & Certifications:

Greenguard Gold Certification; Greenguard Certification; BS EN-438-2016; ISO9001; ISO14001; Carbon Reduction Label; BS476 Part 6 and 7; Antifungal ASTM G21:2013 test report, with 0 (None); Antibacterial JIS Z2801:2012 prevent growth of bacterial up to 99.9% within 24 hours.

Hardware:

Stainless steel hardware includes 120° angle concealed rail bracket, self closing / opening gravity hinge, indicator lock set with emergency opening, headrail, coat hook handle, adjustable leg and angle bracket.

Optional:

Single toilet roll holder.

Recommended Dimension:

800-900mm(W) x 1500-1800mm(D) x 1920mm(H)/2420mm(H)
(Overall height from finish floor level to headrail)



Standard Hardware

- 1) Coat Hook
- 2) Indicator Lock Set With Emergency Opening
- 3) Adjustable Leg
- 4) Angle Bracket
- 5) Self Closing / Opening Gravity Hinge
- 6) Rail Fixing Rose & Headrail
- 7) Handle
- 8) Concealed Rail Bracket

Optional Hardware

- 9) Single Toilet Roll Holder